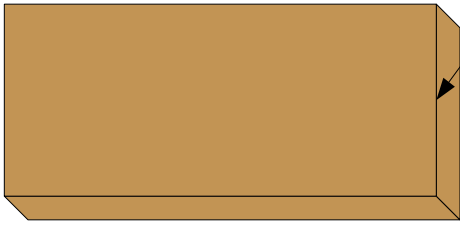


# Intercept Technology (TM) Family of Films and Bags

Corrosion Intercept (R)



## Corrosion Intercept (R)

Anti-Corrosion Properties Only  
 Not designed for ESD Applications  
 Applications: Digital Data / Garments  
 Rubber / Archival / Paper  
 Where some clarity required  
 Steel wrap (CI Stretch)

Anti-Static LDPE

Corrosion Intercept (R) with Anti-Stat



## Anti-Static Corrosion Intercept (R)

Anti-Corrosion Properties with Stable ESD Properties

Applications:  
 Replacing Pink Poly  
 Not permanent ESD  
 Some corrosion and ESD protection

Static Intercept (R)



## Static Intercept (R)

Anti-Corrosion Properties  
 Permanent ESD Protection  
 Application: 4 mil Replaces Foil Pack  
 ESD - no shielding  
 General Corrosion  
 Military / Archival / Weapons  
 Short to Long Term Storage  
 Equipment - Overseas Ship

Anti-Static Wash Coat

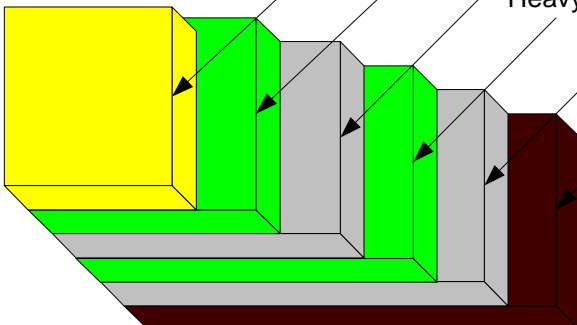
Polyester (48)

Heavy Metallization (Al)

Heavy Polyester (92)

Heavy Metallization (Al)

Static Intercept (R)



## Static Intercept (R) Foil (SIF)

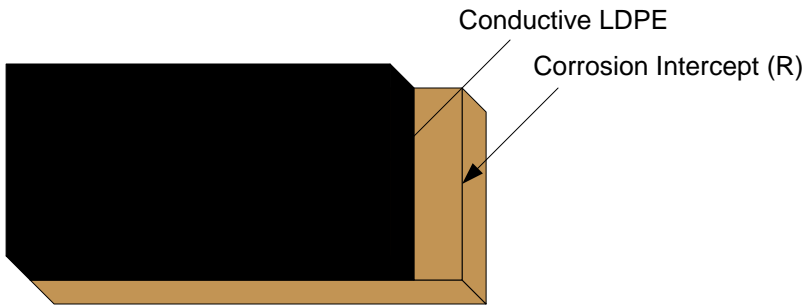
All the Properties Above  
 Plus MVTR of .00032  
 Double Polyester (PET) Layer

Applications:  
 Military long term storage  
 Extreme moisture sensitive  
 Spare part long term store

Note : Total thickness is 4.1 mils -- Intercept layer is 2.4 mils

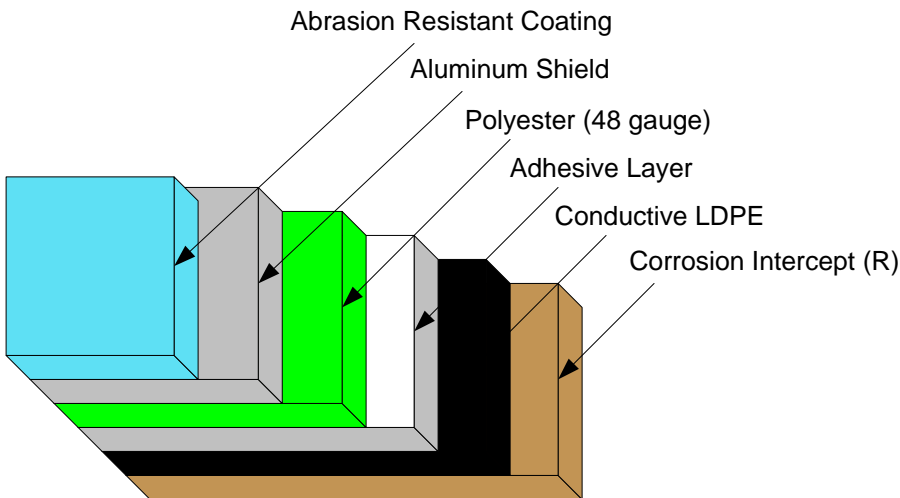
# RIBS Family of Products

## RIBS Media (Blown in filtered Nitrogen)



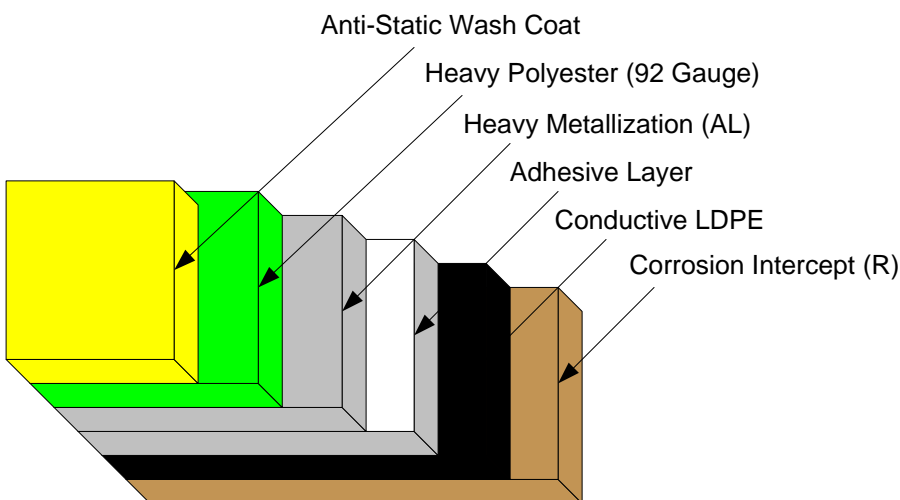
- Applications:
- Military
  - Hard drive media storage / shipping
  - Digital data protection
  - Clean room applications
  - Protecting rubber / archival / document

## RIBS Metal Out Static Shielding Bag (RIBS Shielding)



- Applications:
- ESD Shielding
  - Drive Industry (IBM/Seagate)
  - Low level MVTR applications
  - Wafer storage boats

## RIBS MVTR Moisture Barrier Bag



- Applications:
- Moisture protection requirements
  - EMI Shielding requirements
  - Military / Aerospace
  - Long term storage
  - Replacing standard foil bags

RIBS Technology  
Combining Contamination Free Corrosion / Oxidation Protection  
With Permanent ESD Protection

You Decide Which Type

- o Anti-Static Protection (Archival / Media / General ESD Packaging)
- o Shielding Requirements (ESD)
- o Moisture Barrier / ESD and EMI - RFI Shielding / Oxidation Control

RIBS Media  
RIBS Shielding  
RIBS MVTR